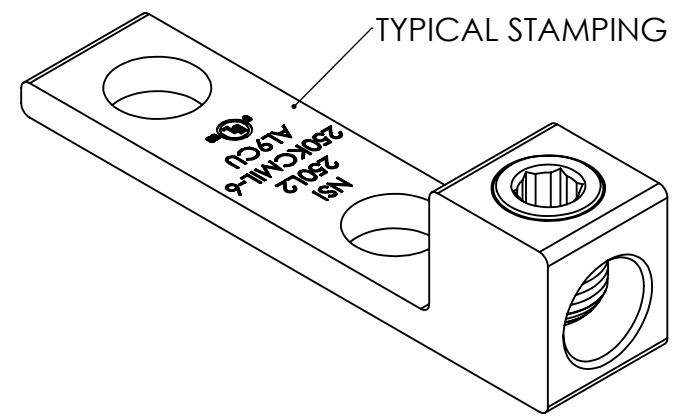
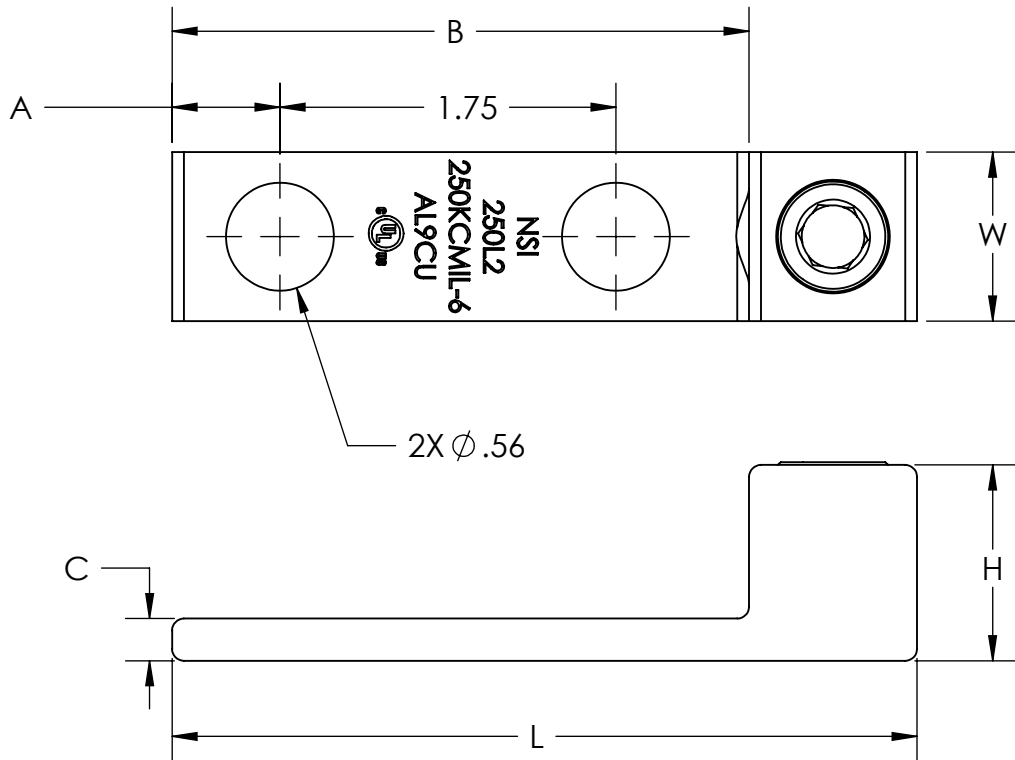


NSI PART #	WIRE RANGE AL/CU	HEX SIZE	L	H	W	A	B	C	MAX TIGHTENING TORQUE IN/LBS
250L2	250 - 6	5/16"	3.88	1.02	.88	.56	3.00	.22	275
350L2	350 - 6	5/16"	4.25	1.13	.99	.63	3.25	.25	275
600L2	600 - 2	3/8"	4.65	1.51	1.38	.63	3.40	.38	375
800L2	800 - 300	1/2"	4.75	1.69	1.44	.63	3.38	.44	500
1000L2	1000 - 350	9/16"	4.94	1.88	1.69	.63	3.44	.44	600



- NOTES:
1. TIN PLATED 6061-T6511 ALUMINUM ALLOY.
 2. UL LISTED 90° C FOR COPPER AND ALUMINIUM CONDUCTOR.

NSi		NSi INDUSTRIES, LLC	
TORK		USA • 800.321.5847 • www.nsiindustries.com	
PROPRIETARY AND CONFIDENTIAL		9730 Northcross Center Court Huntersville, NC 28078	
THE INFORMATION CONTAINED IN THIS DRAWING IS THE SOLE PROPERTY OF NSi Industries, LLC. REPRODUCTION IN PART OR AS A WHOLE WITHOUT THE WRITTEN PERMISSION OF POLARIS SALES CO. INC. IS PROHIBITED.		TITLE: NSi SINGLE PORT NEMA SPACING LUGS L2 SERIES	
DRAWN BY: KM		DATE: 3/18/2011	
NAME: KM		DATE: 3/18/2011	
MATERIAL: 6061-T6511 ALUMINUM		DWG. NO. NSI PANELBOARD LUGS	
SCALE: 1:1		SHEET: 1 OF 1	